

### Lithium Iron Phosphate (LiFePO4) Battery

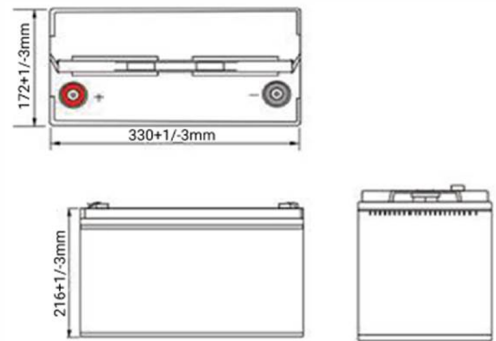


#### Specifications

<b>Electrical Characteristics</b>	Nominal Voltage	12.8V
	Nominal Capacity	100AH
	Energy	1280Wh
	Internal Resistance	≤ 10mΩ
	Cycle Life	>2000 cycles at 0.2C 100% DOD
	Self Discharge Per Month	<3%
	Efficiency of Charge	Near 100% @ 0.5C (when used with proper LiFePO <sub>4</sub> charger)
	Efficiency of Discharge	96 ~ 99% @ 1C
<b>Charge</b>	Charge Voltage	14.4 ± 0.1V
	Charge Mode	CC at 1.0C to 14.4V, then at CV14.4V to charge current less than 0.05C
	Charge Current	50A
	Max. Charge Current	100A
	Over Voltage Protection	15.6V ± 0.2V
<b>Discharge</b>	Max. Continuous Current	100A
	Peak Current	200A (<10s)
	Fully Discharged Voltage	10.0V
<b>Environmental</b>	Charge Temperature	0°C to 50°C (32F to 122F) at 60 ± 25% Relative Humidity
	Discharge Temperature	-20°C to 55°C (-4F to 131F) at 60 ± 25% Relative Humidity
	Storage Temperature	-20°C to 45°C (-4F to 113F) at ≤75% Relative Humidity
	Water/Dust Resistance	IP56
<b>Mechanical</b>	Cell Material	LiFePO <sub>4</sub>
	Plastic Case	ABS (UL94-V0)
	Dimensions (in./mm)	12.99 x 6.77 x 8.50 / 330 x 172 x 216
	Weight (lbs./kg.)	29.78 / 13.5
<b>BMS</b>	Terminal Type	M8
	Protection Function	Over charge. Over discharge. Over current. Short circuit, Balancing, Temperature

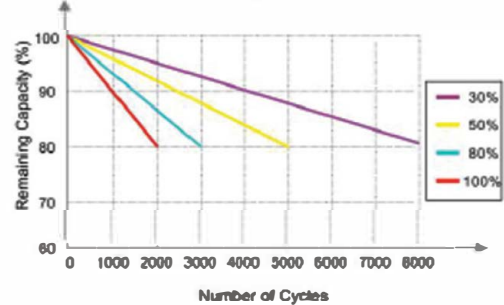


Up to 16 individual batteries can be banked together in series / parallel configuration. Maximum allowed configuration is 4S4P.

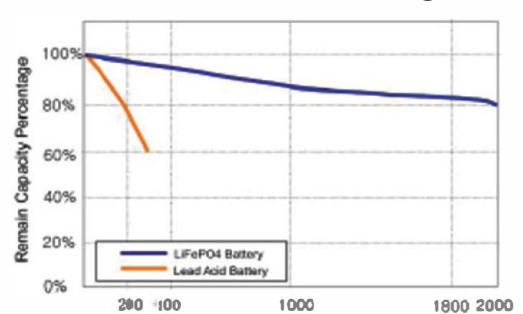


#### Discharge Characteristics

Discharge Cycle Life Curve @ 1C



Cycle Life Performance Curve @ 25°C



Zeus Battery highly recommends the use of matching LiFePO<sub>4</sub> charger for optimum performance