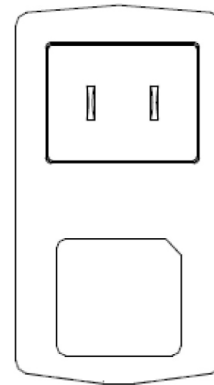
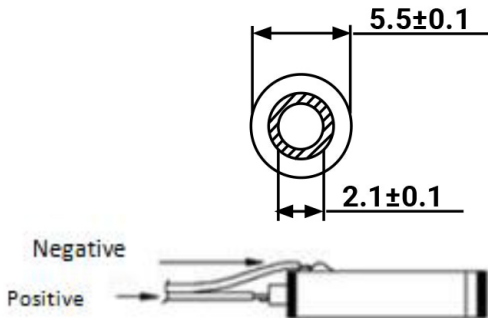
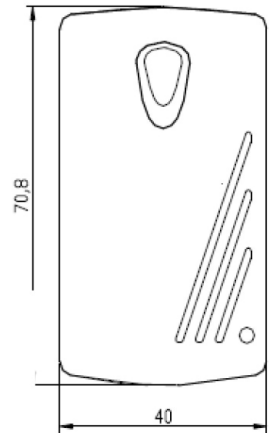
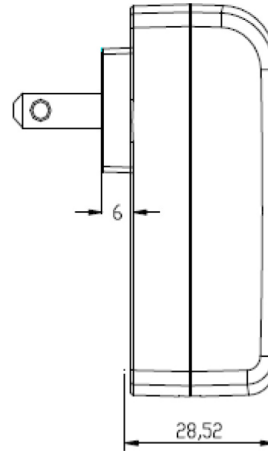


**Sealed Lead Acid Battery Charger**

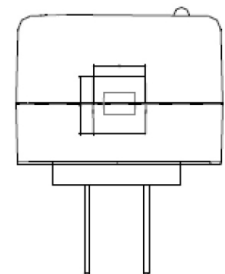
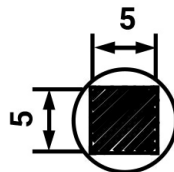
**Specifications**

<b>Input Voltage</b>	110 ~ 240Vac
<b>Input Frequency</b>	47 ~ 63Hz
<b>Input Current</b>	0.5A Max
<b>Inrush Current</b>	115V/40A, 230V/80A @25°C
<b>Power Efficiency</b>	75% Min at full load
<b>Operating Temperature</b>	0 ~ 40°C @ 20 ~ 85% RH Under full load & normal operation
<b>Storage Temperature</b>	-40 ~ 70°C @ 10 ~ 95% RH Under full load & normal operation



**Cable:**  
DC 2468, AWG24

**Barrel Connector Dimensions:**  
Outer Diameter: 5.5mm  
Inner Diameter: 2.1mm  
Barrel Length: 9.0mm



**Handling Precautions**

- Don't immerse in water or allow it to get wet!
- Don't reverse the positive and negative polarity!
- Don't short-circuit the charger with wire or other metal objects!
- Don't disassemble the charger in any way!