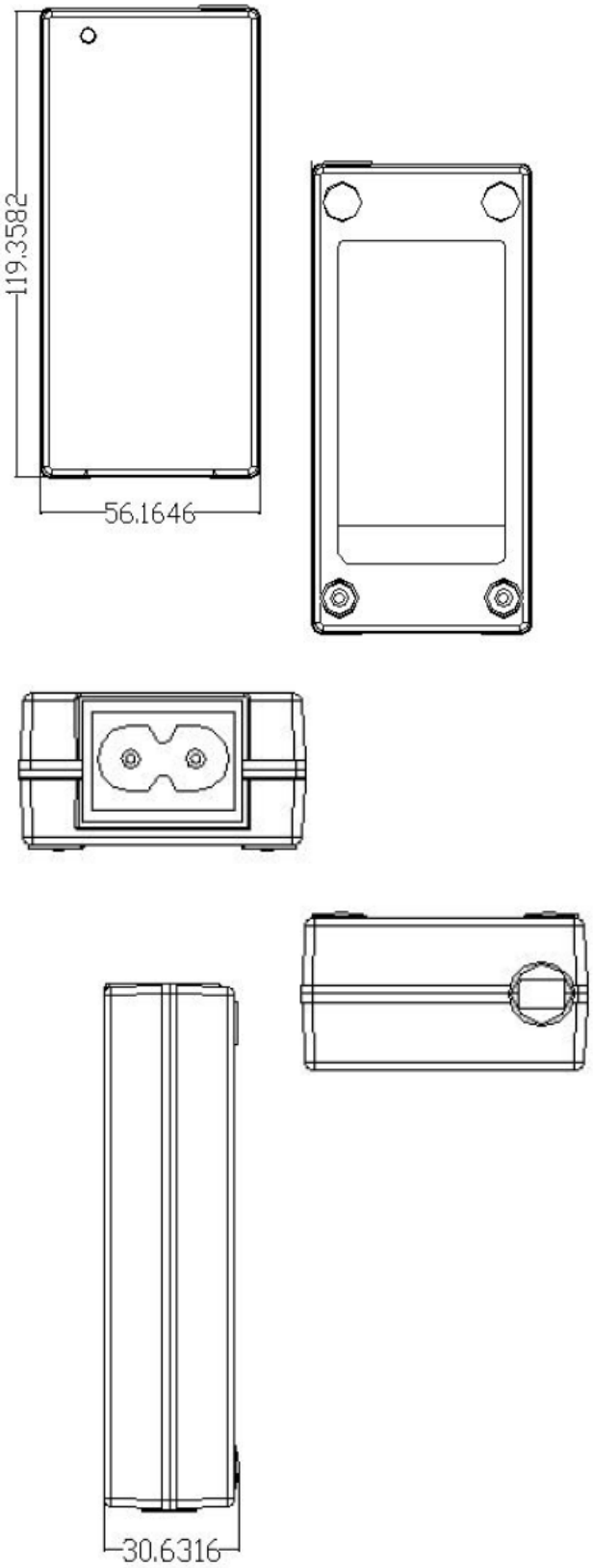


■ Specifications	
Input Voltage	110 ~ 240Vac
Input Frequency	50/60Hz
Input Current	1.5A Max any input voltage
Inrush Current	115V/40A, 230V/80A @25°C
Leakage Current	0.25mA Max @ 240Vac
Operating Temperature	0 ~ 40°C Under full load & normal operation
Safety & EMI	ETL1310, EN61558 Meets FCC Part15 Class B
Over Current Protection	2A @ 100 ~ 240Vac
Short Circuit Protection	Present - Self-Recovery
Reverse Polarity Protection	Present - Self-Recovery

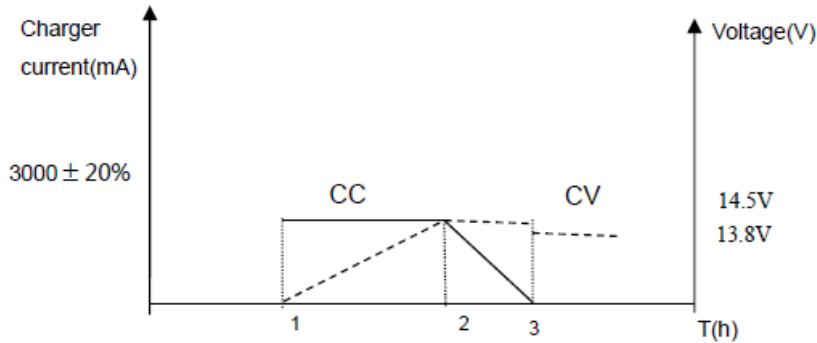
■ Output Characteristics	
Voltage	13.8V
Min. Load	0A
Rated Load	3.0A
Voltage Regulation	±5%



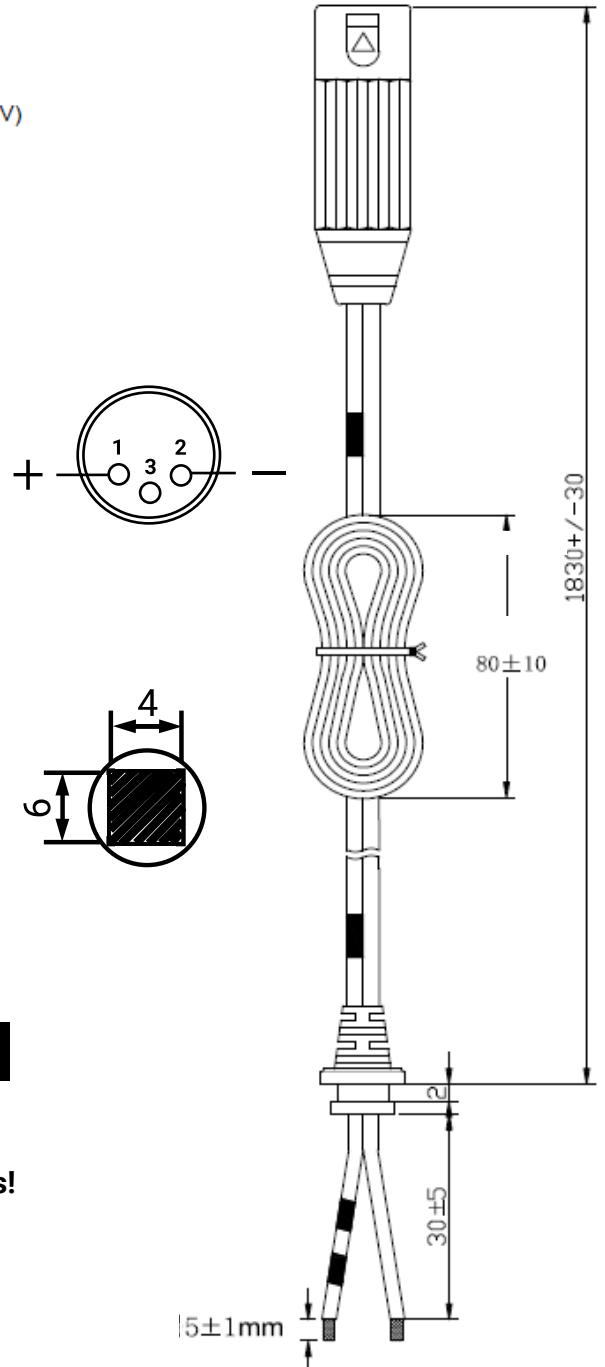


Sealed Lead Acid Battery Charger

3-stage charging mode



1. Constant current charging mode
2. Constant voltage charging mode
3. Float charge mode



■ Handling Precautions

- Don't immerse in water or allow it to get wet!
- Don't reverse the positive and negative polarity!
- Don't short-circuit the charger with wire or other metal objects!
- Don't disassemble the charger in any way!