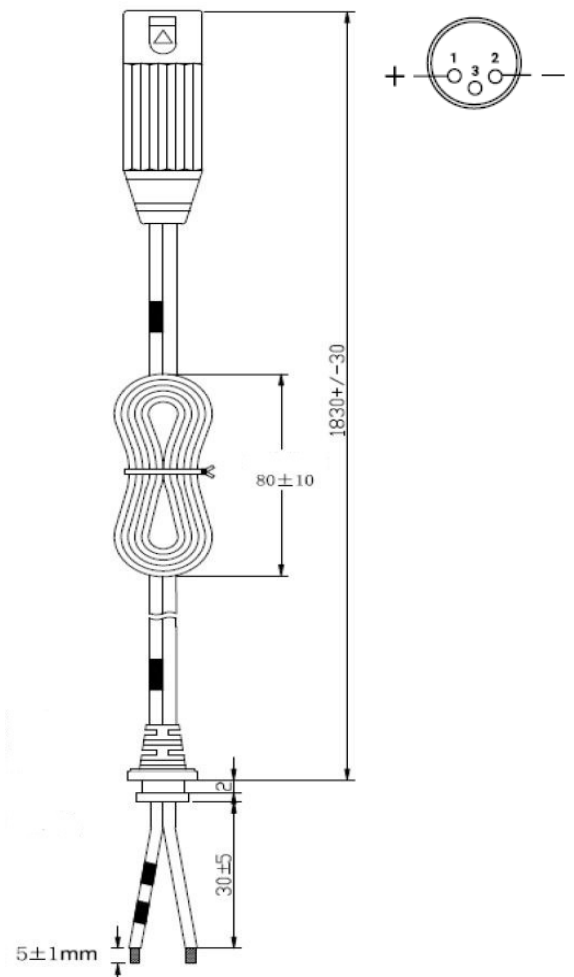
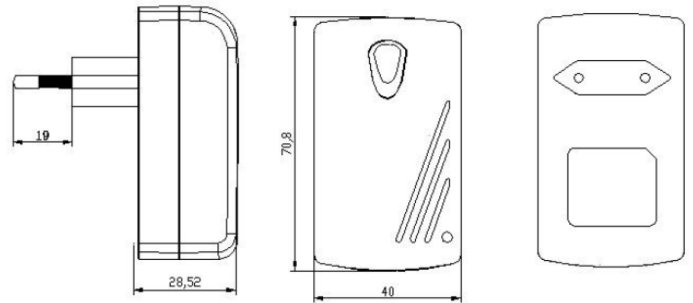


**Sealed Lead Acid Battery Charger**

**■ Specifications**

<b>Input Voltage</b>	100 ~ 240Vac
<b>Input Frequency</b>	50/60Hz
<b>Input Current</b>	0.5A Max any input voltage
<b>Inrush Current</b>	115V/40A, 230V/80A @25°C
<b>Leakage Current</b>	0.25mA Max @ 240Vac
<b>Operating Temperature</b>	0 ~ 40°C Under full load & normal operation
<b>Safety &amp; EMI</b>	CE
<b>Over Current Protection</b>	2A @ 100 ~ 240Vac
<b>Short Circuit Protection</b>	Present - Self-Recovery
<b>Reverse Polarity Protection</b>	Optional with Self-Recovery



**■ Output Characteristics**

<b>Voltage</b>	13.8V
<b>Min. Load</b>	0A
<b>Rated Load</b>	1.0A
<b>Voltage Regulation</b>	±2%

**■ Handling Precautions**

- Don't immerse in water or allow it to get wet!
- Don't reverse the positive and negative polarity!
- Don't short-circuit the charger with wires or metal objects!
- Don't disassemble the charger in any way!