

**Lithium Iron Phosphate (LiFePO<sub>4</sub>) Battery**

**Specifications**

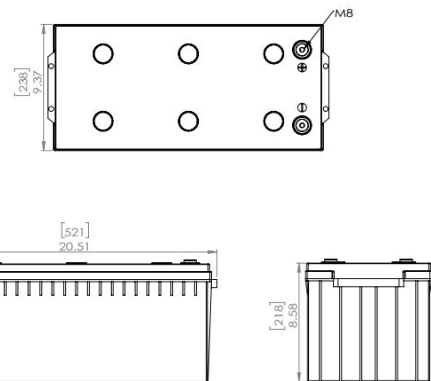
<b>Electrical Characteristics</b>	Nominal Voltage	51.2V
	Rated Capacity (77°F/25°C)	50Ah
	Optional Capacity w/ Case	100Ah
	Circuit Protection	Over charge, Over discharge, Over current, Over temp, Short, Balance
	Cycle Life	2000 cycles at 0.2C 100% DOD
	Monthly Self Discharge	Less than 2%
	Efficiency of Charge	100% @ 0.5C (when used with proper LiFePO <sub>4</sub> charger)
	Efficiency of Discharge	96 ~ 99% @ 1C
<b>Charge</b>	Charge Voltage	58.4 ± 0.2V
	Standard Charge Current	10A
	Max. Charge Current	40A
<b>Discharge</b>	Std. Discharge Current	10A
	Max. Continuous Current	50A
	Discharge Cut-off Voltage	40V
<b>Environmental</b>	Charge Temperature	0°C to 45°C (32°F to 113°F) at 60 ± 25% Relative Humidity
	Discharge Temperature	-20°C to 60°C (-4°F to 140°F) at 60 ± 25% Relative Humidity
	Storage Temperature	-20°C to 45°C (-4°F to 113°F) at 60 ± 25% Relative Humidity
<b>Mechanical</b>	Cell Material	LiFePO <sub>4</sub>
	Case / IP Class	Plastic case / IP65
	Dimensions (in./mm) BCI Group 6D	20.51 x 9.37 x 8.58 / 521 x 238 x 218
	Approx. Weight (lbs./kg.)	50.7 / 23
	Terminal Type	M8
<b>Optional</b>	Extended Functions	Power Switch, SOC indicator, USB, Communications (CANBUS, Bluetooth, SMBUS, RS485, RS232, UART, I <sup>2</sup> C)

Zeus Battery highly recommends to use LiFePO<sub>4</sub> charger suitable for each battery for optimum charge performance

**Increased Flexibility:** Modular design enables deployment of up to four batteries in series and up to ten batteries in parallel.



**Physical Dimensions**



**Life-Cycle Characteristics**

