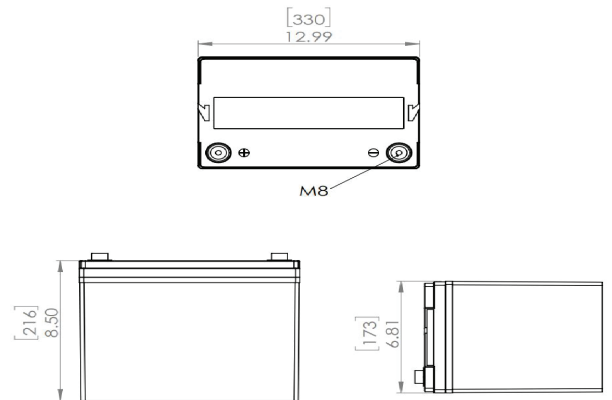


Specifications

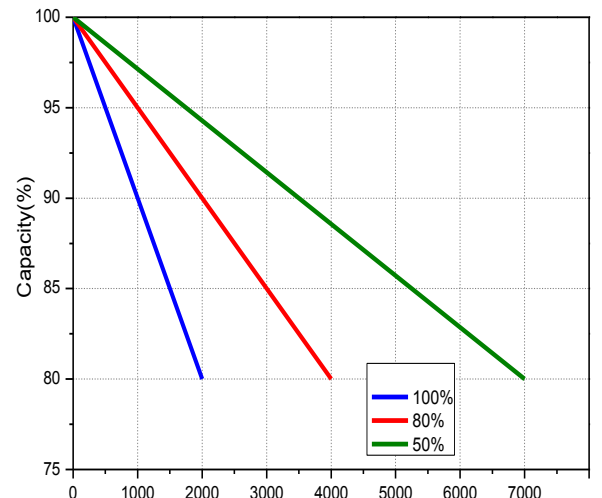
Electrical Characteristics	Nominal Voltage	25.6V
	Rated Capacity (77°F/25°C)	50Ah
	Optional Capacity w/ Case	40Ah to 72Ah
	Circuit Protection	Over charge, Over discharge, Over current, Over temp, Short, Balance
	Cycle Life	2000 cycles at 0.2C 100% DOD
	Monthly Self Discharge	Less than 2%
	Efficiency of Charge	100% @ 0.5C (when used with proper LiFePO ₄ charger)
	Efficiency of Discharge	96 ~ 99% @ 1C
Charge	Charge Voltage	29.2 ± 0.2V
	Standard Charge Current	10A
	Max. Charge Current	50A
Discharge	Std. Discharge Current	10A
	Max. Continuous Current	50A
	Discharge Cut-off Voltage	20V
Environmental	Charge Temperature	0°C to 45°C (32°F to 113°F) at 60 ± 25% Relative Humidity
	Discharge Temperature	-20°C to 60°C (-4°F to 140°F) at 60 ± 25% Relative Humidity
	Storage Temperature	-20°C to 45°C (-4°F to 113°F) at 60 ± 25% Relative Humidity
Mechanical	Cell Material	LiFePO ₄
	Case / IP Class	Plastic case / IP65
	Dimensions (in./mm) BCI Group 31	12.99 x 6.81 x 8.50 / 330 x 173 x 216
	Approx. Weight (lbs./kg.)	24.25 / 11
	Terminal Type	M8
Optional	Extended Functions	Power Switch, SOC indicator, USB, Communications (CANBUS, Bluetooth, SMBUS, RS485, RS232, UART, I ² C)



Physical Dimensions



Life-Cycle Characteristics



Zeus Battery highly recommends to use LiFePO₄ charger suitable for each battery for optimum charge performance

Increased Flexibility: Modular design enables deployment of up to four batteries in series and up to ten batteries in parallel.