

Lithium Ion Charger

■ Specifications

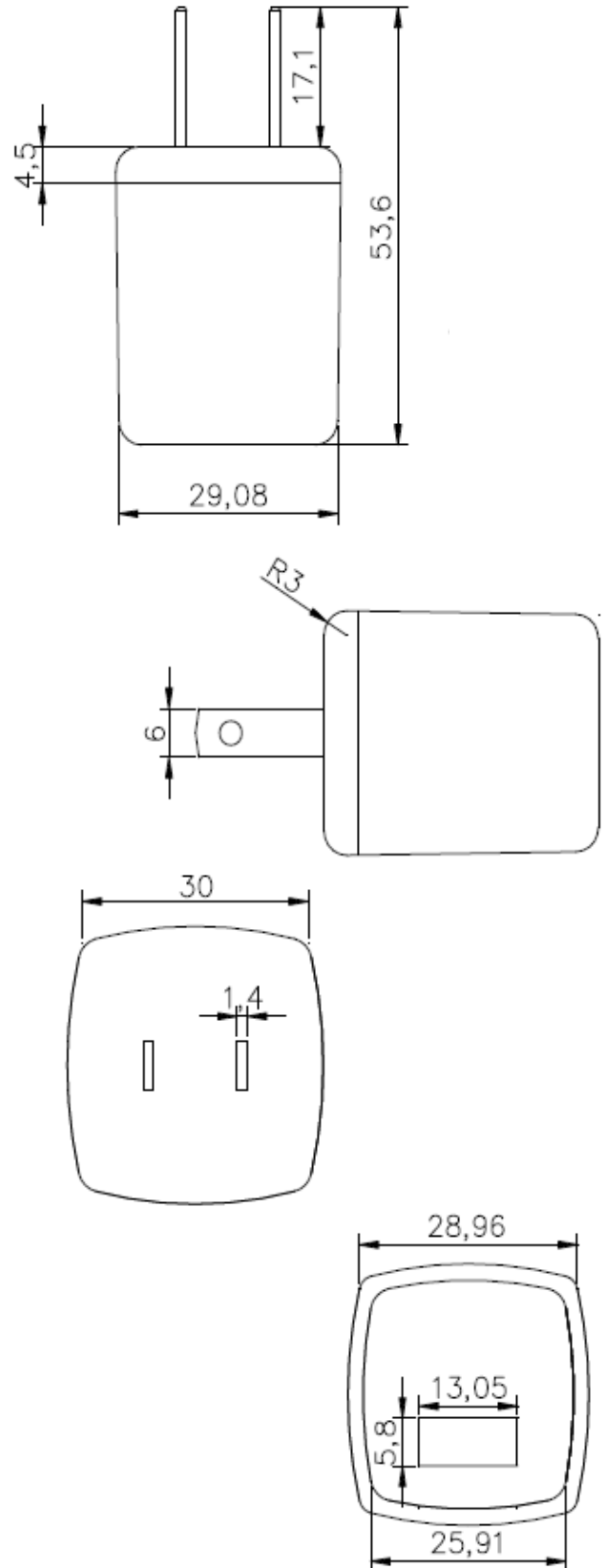
Input Voltage	100-240Vac
Input Frequency	50/60Hz
Input Current	0.3A Max any input voltage
Inrush Current	50A Max. 0.2C
Leakage Current	0.25mA Max at 240Vac
Operating Temperature	0 ~ 40°C Under full load & normal operation
Safety & EMI	Conforms to UL 60950
Operating Temperature	0 ~ 40°C, 10 ~ 90% R.H.

■ Output Characteristics

Voltage	5Vdc
Min. Load	0.01A
Rated Load	0.75A
Peak	-
Output Power	3.75W

■ Combined Load Regulation

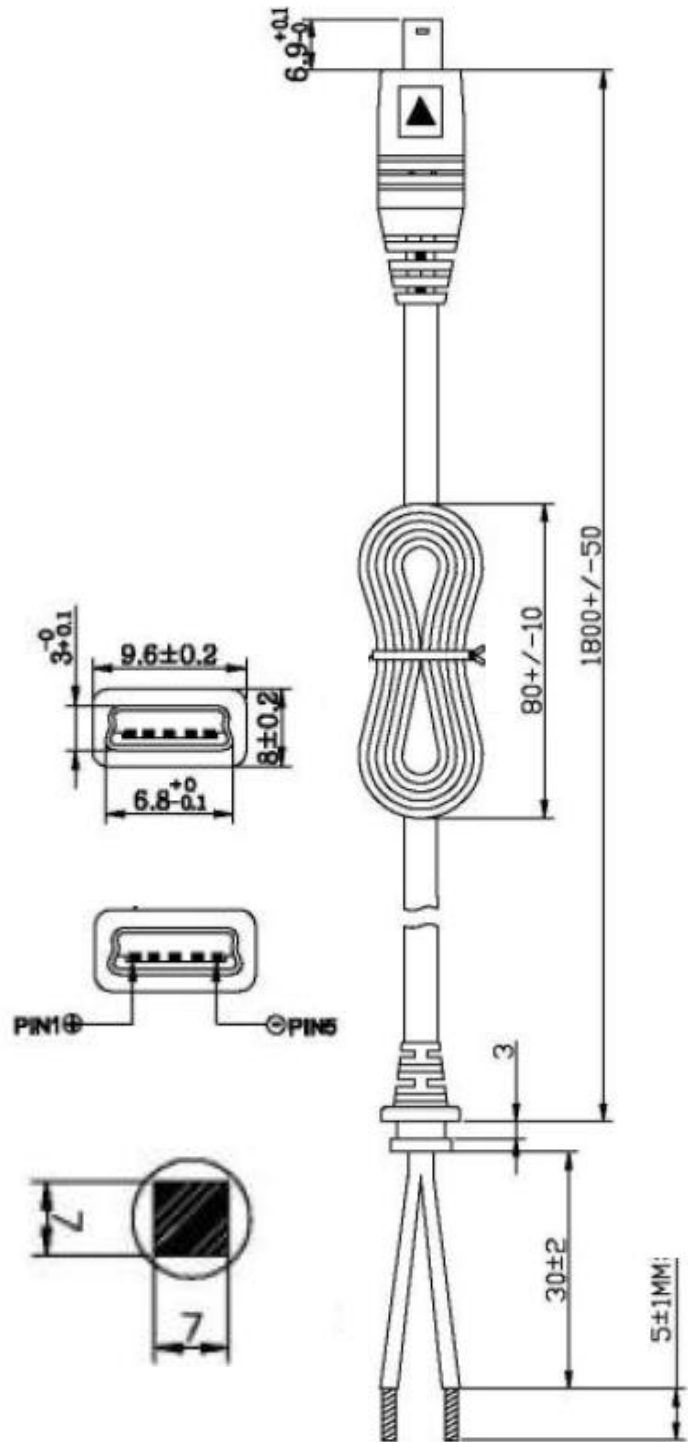
Voltage	5Vdc
Min. Load	0.01A
Rated Load	0.75A
Line Regulation	±1%
Load Regulation	±5%





Lithium Ion Charger

Protection Requirements		
Over Current Protection	< 3A (100 ~ 240Vac) Self Recovers	
Short Circuit Protection	12ms. Self Recovers	
EMI/EMS Standards	EN55022 / EN61000-3-2	
Discharge Characteristics	Test Level	Test Criteria
Air Discharge	±8KV	B
Contact Discharge	±4KV	B
Radiated Electromagnetic Field Susceptibility		
Test Level	Test Criteria	
3V/m (r.m.s.)	A	
20-1000mHx, 80% AM (1KHz) sine-wave	A	
Electric Fast Transient Burst Immunity		
Coupling	Test Level	Test Criteria
AC input	0.5KV	A
AC input	1KV	B
Surge Capability		
Surge Voltage	Test Criteria	
Common mode/NA	A	
Differential mode/1KV	A	
Induced Radio Frequency Field Conducted Disturbance Immunity		
3V	A	
0.15-80MHz, 80%AM (1KHz)	A	
Assessment Criteria		
Acceptance Criteria	Performance	
A	Agreed operational behavior within specified limits	
B	Time limited functional diminishment or malfunction during the test is permitted. The function is self-reactivated by the unit following completion of tests.	
C	Malfunction is permitted. The function can be reactivated either by reconnection to the main or by operator intervention.	
Safety Standards	Complies to UL (EN60950-1)	



1. UL2484, AWG22
2. Micro USB 5pin