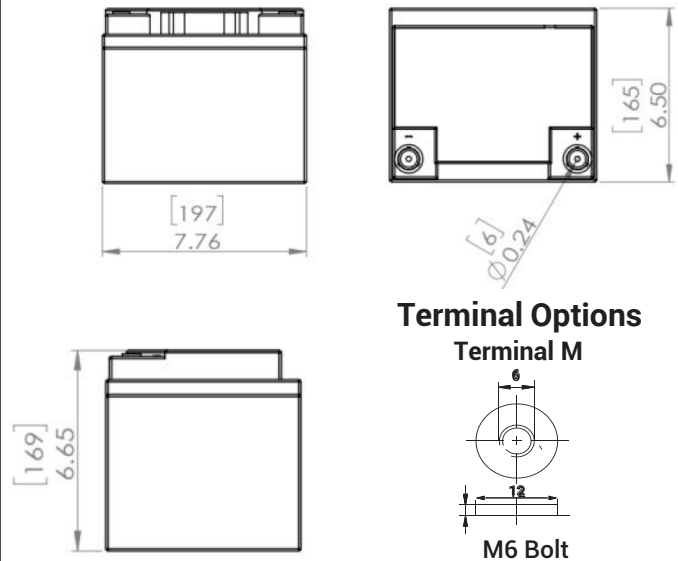


Specifications

| | | |
|-----------------------------------|---------------------------|---|
| Electrical Characteristics | Nominal Voltage | 12.8V |
| | Rated Capacity | 50AH |
| | Series X Parallel Maximum | 4S X 4P |
| | Circuit Protection | Over charge, Over discharge, Over current, Over temp, Short, Balance |
| | Cycle Life | >2000 cycles at 0.2C 100% DOD |
| | Monthly Self Discharge | Less than 2% |
| | Efficiency of Charge | 100% @ 0.5C (when used with proper LiFePO ₄ charger) |
| | Efficiency of Discharge | 96 ~ 99% @ 1C |
| Charge | Charge Voltage | 14.6 ± 0.2V |
| | Standard Charge Current | 10A |
| | Max. Charge Current | 50A |
| Discharge | Std. Discharge Current | 10A |
| | Max. Continuous Current | 50A |
| | Discharge Cut-off Voltage | ~9V |
| Environmental | Charge Temperature | 0°C to 55 C (32°F to 131 F) at 60 ± 25% Relative Humidity |
| | Discharge Temperature | -20°C to 60°C (-4°F to 140°F) at 60 ± 25% Relative Humidity |
| | Storage Temperature | -20°C to 45°C (-4°F to 113°F) at 60 ± 25% Relative Humidity |
| Mechanical | Cell Material | LiFePO ₄ |
| | Case / IP Class | Plastic / IP65 |
| | Dimensions (in / mm) | 7.76 x 6.50 x 6.65 (6.65 HT) / 197 x 165 x 169 (169 HT) |
| | Approx. Weight (lbs /kg) | 11.68/ 5.3 |
| | Terminal Type | M6 |
| Optional | Extended Functions | Power Switch, SOC indicator, USB, Communications (CANBUS, Bluetooth, SMBUS, RS485, RS232, UART, I ² C) |

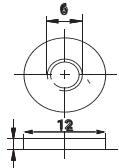
* Use ZEUS matching PCCG-LFP14.4V10A LiFePO₄ or PCCG-LFP14.4V15A LiFePO₄ charger to achieve optimum performance

Physical Dimensions



Terminal Options

Terminal M



M6 Bolt

Discharge Characteristics

