

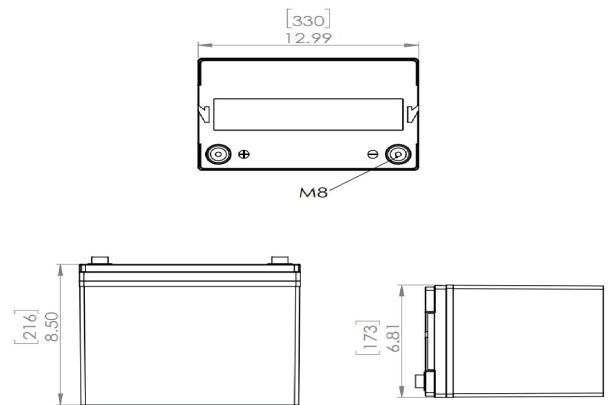
Lithium Iron Phosphate (LiFePO₄) Battery

Specifications

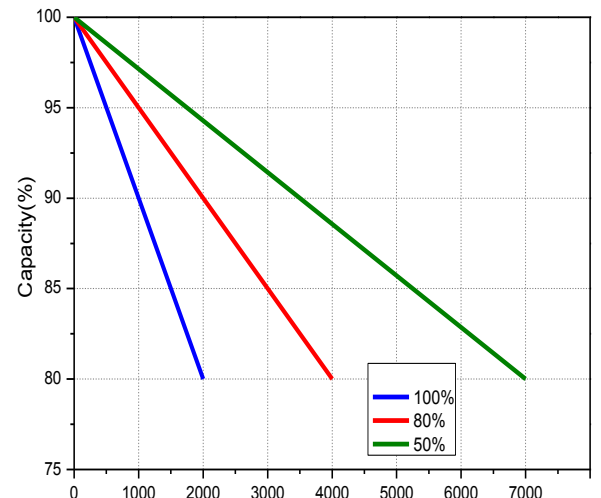
| | | |
|-----------------------------------|-------------------------------------|---|
| Electrical Characteristics | Nominal Voltage | 51.2V |
| | Rated Capacity (77°F/25°C) | 25Ah |
| | Series X Parallel Maximum | 1S X 4P |
| | Circuit Protection | Over charge, Over discharge, Over current, Over temp, Short, Balance |
| | Cycle Life | 2000 cycles at 0.2C 100% DOD |
| | Monthly Self Discharge | Less than 2% |
| | Efficiency of Charge | 100% @ 0.5C (when used with proper LiFePO ₄ charger) |
| | Efficiency of Discharge | 96 ~ 99% @ 1C |
| Charge | Charge Voltage | 57.6 ± 0.2V |
| | Standard Charge Current | 5A |
| | Max. Charge Current | 20A |
| Discharge | Std. Discharge Current | 5A |
| | Max. Continuous Current | 30A |
| | Discharge Cut-off Voltage | 40V |
| Environmental | Charge Temperature | 0°C to 45°C (32°F to 113°F) at 60 ± 25% Relative Humidity |
| | Discharge Temperature | -20°C to 60°C (-4°F to 140°F) at 60 ± 25% Relative Humidity |
| | Storage Temperature | -20°C to 45°C (-4°F to 113°F) at 60 ± 25% Relative Humidity |
| Mechanical | Cell Material | LiFePO ₄ |
| | Case / IP Class | Plastic case / IP65 |
| | Dimensions (in./mm) BCI Group 31 | 12.99 x 6.81 x 8.50 / 330 x 173 x 216 |
| | Approx. Weight (lbs./kg.) | 26.45 / 12 |
| | Terminal Type | M8 |
| Optional | Extended Functions | Power Switch, SOC indicator, USB, Communications (CANBUS, Bluetooth, SMBUS, RS485, RS232, UART, I ² C) |



Physical Dimensions



Life-Cycle Characteristics



*Zeus Battery highly recommends to use LiFePO₄ charger suitable for each battery for optimum charge performance

**Increased Flexibility: Modular design enables deployment of up to four batteries in parallel.