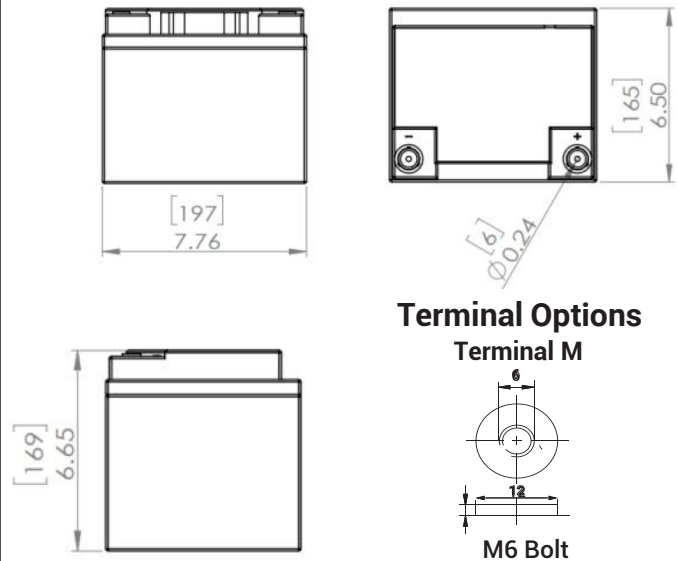


**Specifications**

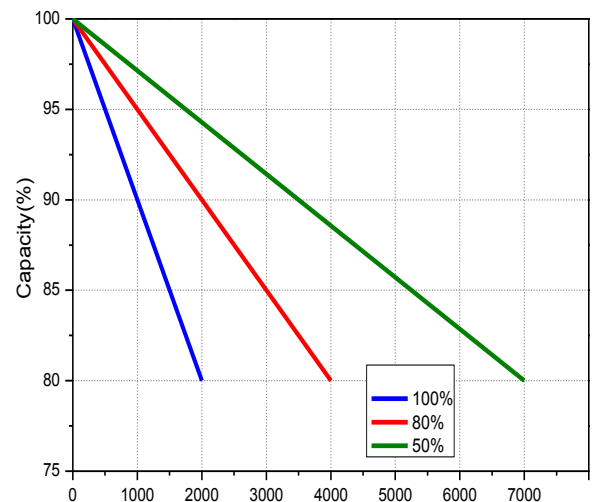
<b>Electrical Characteristics</b>	Nominal Voltage	12.8V
	Rated Capacity	50AH
	Series X Parallel Maximum	4S X 4P
	Circuit Protection	Over charge, Over discharge, Over current, Over temp, Short, Balance
	Cycle Life	>2000 cycles at 0.2C 100% DOD
	Monthly Self Discharge	Less than 2%
	Efficiency of Charge	100% @ 0.5C (when used with proper LiFePO <sub>4</sub> charger)
	Efficiency of Discharge	96 ~ 99% @ 1C
<b>Charge</b>	Charge Voltage	14.4 ± 0.2V
	Standard Charge Current	10A
	Max. Charge Current	50A
<b>Discharge</b>	Std. Discharge Current	10A
	Max. Continuous Current	50A
	Discharge Cut-off Voltage	~9V
<b>Environmental</b>	Charge Temperature	0°C to 55°C (32°F to 131°F) at 60 ± 25% Relative Humidity
	Discharge Temperature	-20°C to 60°C (-4°F to 140°F) at 60 ± 25% Relative Humidity
	Storage Temperature	-20°C to 45°C (-4°F to 113°F) at 60 ± 25% Relative Humidity
<b>Mechanical</b>	Cell Material	LiFePO <sub>4</sub>
	Case / IP Class	Plastic / IP65
	Dimensions (in / mm)	7.76 x 6.50 x 6.65 (6.65 HT) / 197 x 165 x 169 (169 HT)
	Approx. Weight (lbs /kg)	11.68/ 5.3
	Terminal Type	M6
<b>Optional</b>	Extended Functions	Power Switch, SOC indicator, USB, Communications (CANBUS, Bluetooth, SMBUS, RS485, RS232, UART, I <sup>2</sup> C)



**Physical Dimensions**



**Discharge Characteristics**



\* Use ZEUS matching PCCG-LFP14.4V2A LiFePO<sub>4</sub> charger to achieve optimum performance

\*\*Modular design enables deployment of up to four batteries in series and up to four batteries in parallel.