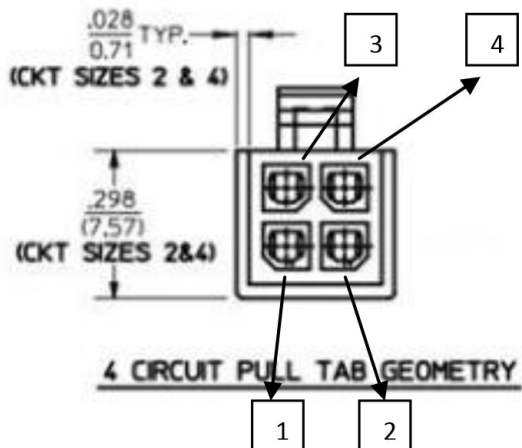
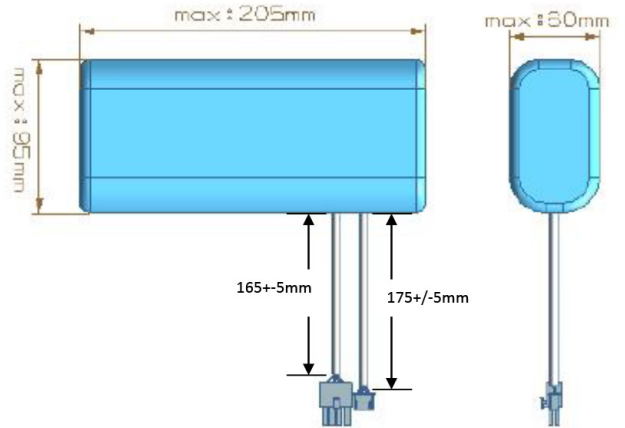
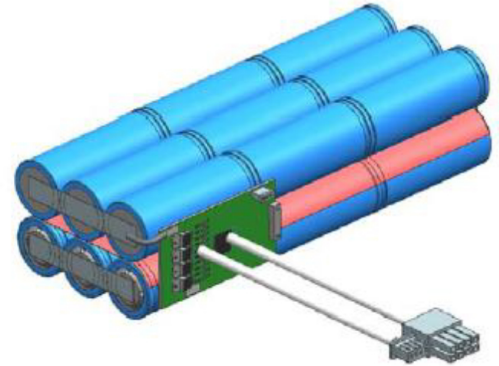


Lithium Ion Phosphate Battery

SPECIFICATIONS

Nominal Capacity	9.0Ah @0.2C discharge, room temperature
Nominal Voltage	19.2V
Charge Voltage	21.9V
Standard Charge Current	1.8A
Max. Continuous Charge Current	4.0A
Max. Continuous Discharge Current	10.A
Discharge Cut-off Voltage	12.0V
Pack Internal Impedance	≤ 150mΩ @ AC 1kHz
Pack Configuration	6S3P
Operating Temperature	Charge: 0 ~ 45°C Discharge: -20 ~ 50°C
Storage Temperature	-10 ~ 40°C at 50% SOC
Cycle Life	≥ 1500 cycles @ 0.3c discharge, room temperature
Weight	Approx. 1.8Kg

*Note on Air transport: Lithium ion cells and batteries must be offered for transport at a state of charge (SOC) not exceeding 30% of their rated capacity



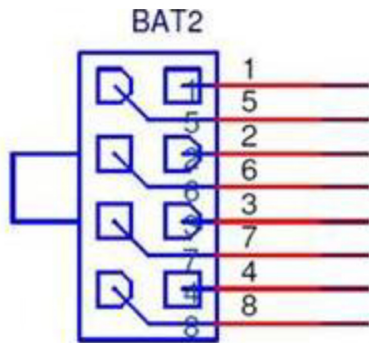
LFP!

SMBUS: Molex 43025-0400

LFP Battery SMBUS Connector (WAFER 1x4 2.0mm)

Pin No.	Description
Pin 1	DATA (White)
Pin 2	CLOCK (YELLOW)
Pin 3	TH (RED)
Pin 4	GND (BLACK)

Lithium Ion Phosphate Battery



Power Connector: AMP 794657-8

LFP Battery Connector
(ATX 2x4 4.2mm)

Pin No.	Description	Pin No.	Description
1	GND	5	VBAT2
2	GND	6	VBAT2
3	GND	7	VBAT2
4	GND	8	VBAT2

Protection Circuit Module BOM

Part No.	Description	Quantity
BQ76930 (Texas Inst)	Main Protection IC with Cell Balancing	1
BQ78350 (Texas Inst)	Fuel Gauge with LED Support	1
AON6533 (Alpha & Omega)	MOSFET	6

BMS Parameters

No.	Item	Condition	Specification
1	Overcharge Protection	Detection Voltage	3.65±0.05V/cell
		Release Voltage	3.5±0.05V/cell
		Detection Delay Time	0.50~1.50S
2	Over Discharge	Detection Voltage	2.0±0.1V/cell
		Release Voltage	2.5±0.05V/cell
		Detection Delay Time	0.5~1.5S
3	Over Discharge Current Protection	Over Current Detection	30±5A
		Detection Delay Time	≤1.2S
4	Short Circuit Protection	Detection Condition	External Short
		Detection Delay Time	≤400µS
		Release Condition	Cut Short
5	Current Consumption	During Normal Operation	700µA Max.
		During Idle	150µA Max.
6	0V charge	-	Yes
7	Operating Conditions	Max Continuous Discharge Current	20A
		Max Charging Current	4A
		Cell Balancing Current	50mA/cell