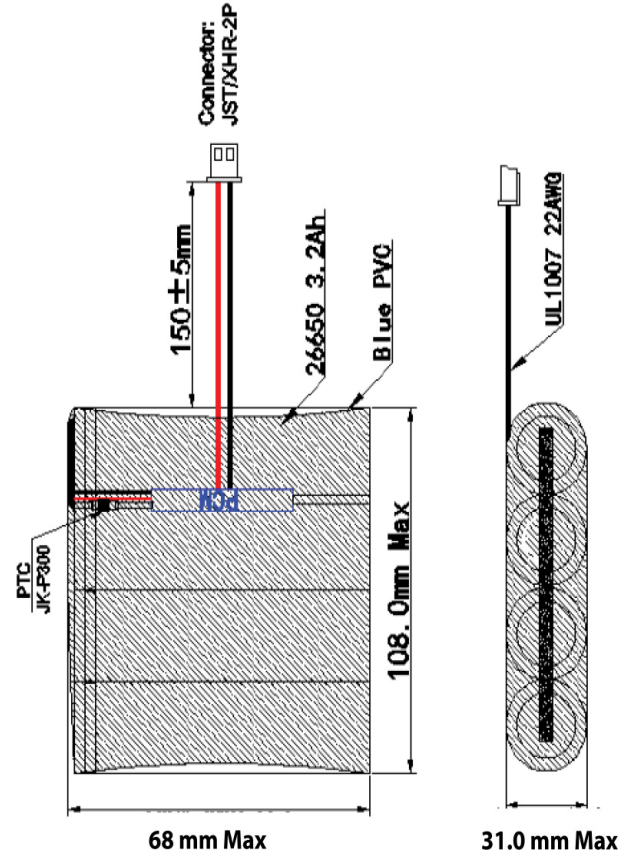


■ SPECIFICATIONS

Nominal Capacity	12.8Ah, @ 0.2C discharge, room temperature
Nominal Voltage	3.20V
Charge Voltage	3.65V
Standard Charge Current	2.5A
Charge Current	2.5A
Discharge Current	Standard: 2.5A Max: 4.0A
Discharge Cut-off Voltage	2.50V
Internal Impedance	≤ 100mΩ
Weight	Approx. 360g
Operating Temperature	Charge: 0 ~ 45°C Discharge: -20 ~ 60°C
Storage Temperature	25+/-5°C @ 50% SOC
Cycle Life	≥ 2000 cycles @ 0.2C discharge, room temperature

*Note on Air transport: Lithium ion cells and batteries must be offered for transport at a state of charge (SOC) not exceeding 30% of their rated design capacity



■ BMS Parameters

No.	Item	Condition	Specification
1	Overcharge Protection	Detection Voltage	3.65±0.05V/cell
		Release Voltage	3.45±0.05V/cell
		Detection Delay Time	160mS max.
2	Over Discharge Protection	Detection Voltage	2.40±0.08V/cell
		Release Voltage	2.55±0.10V/cell
		Detection Delay Time	80mS max.
3	Over Current Protection	Over Current Detection Current	4 ~ 8A
		Detection Delay Time	24ms Max.
		Release condition	Cut Load
4	Short Circuit Protection	Detection Condition	External Short
		Detection Delay Time	600µS
		Release Condition	Cut Short