

- True deep cycle AGM technology-GREEN SOLUTION
- Over 99.99% virgin lead for grid plate and active material
- Heavy duty grid/paste design for deep cycle application
- Maintenance free, non-spillable, valve-regulated
- Double separator configuration: long cycle life & high energy density and super anti-vibration design
- Low self-discharge for longer shelf life



■ ELECTRICAL SPECIFICATIONS

Voltage (V)	Capacity (AH)					Reserve Capacity (Min)		
	100HR	20HR	10HR	5HR	3HR	@25A	@56A	@75A
12	355	330	308	280	268	740	/	207

■ PHYSICAL SPECIFICATIONS

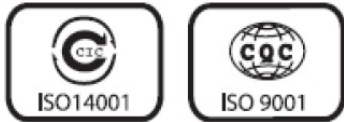
Model	Dimensions (mm/inches)				Weight (kg/lbs)	Terminal Type (Standard)	Case Material
	Length	Width	Height	Total Height			
PC12-330-8D	527 (20.75)	280 (11.02)	230 (9.06)	252 (9.92)	86.0 (189.6)	DT-3/8	PP

■ OPERATING TEMPERATURE RANGE

Discharge	Charge	Storage
-15°C ~ 50°C (5°F ~ 122°F)	0°C ~ 40°C (32°F ~ 104°F)	-15°C ~ 40°C (5°F ~ 104°F)

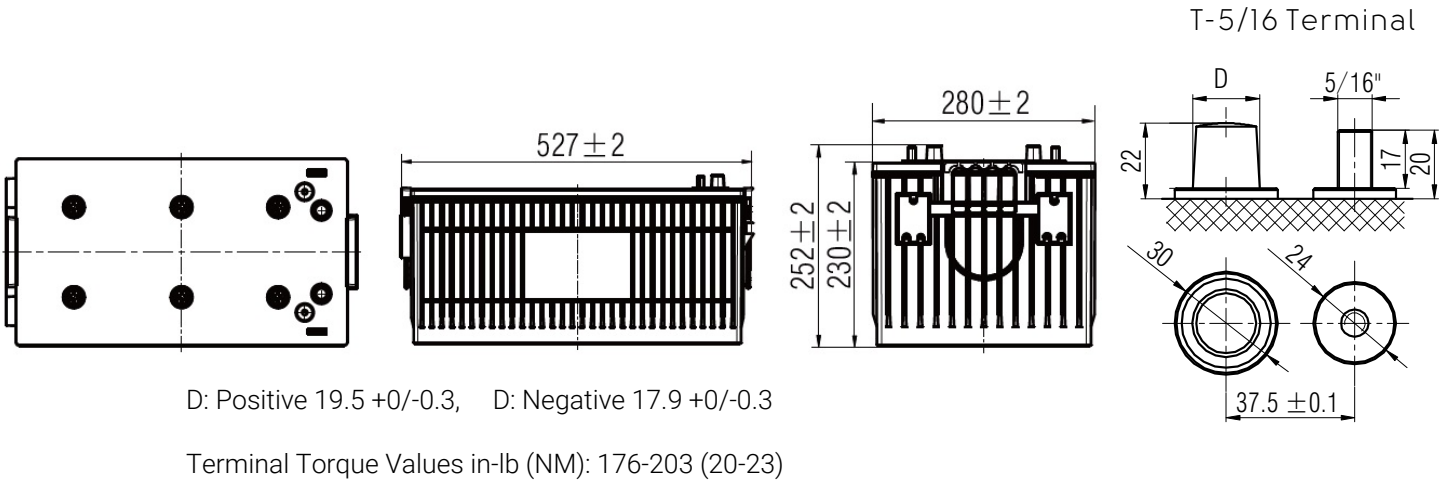
■ APPLICATIONS

- | | | |
|-----------------------------------|-----------------|-----------------|
| Energy Storage / Renewable Energy | Boats and Ships | Solar & Wind |
| Recreational Vehicles | Generators | Golf Carts |
| Fort Lift Trucks | Motive Power | Traffic Signals |
| Uninterruptable Power Supplies | | |

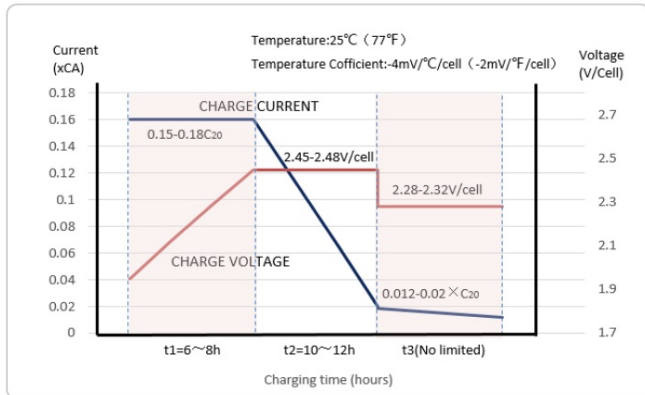


Deep Cycle SLA Battery

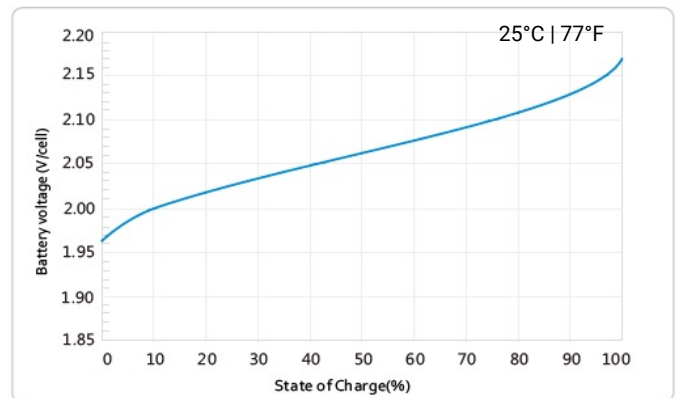
■ Dimensions



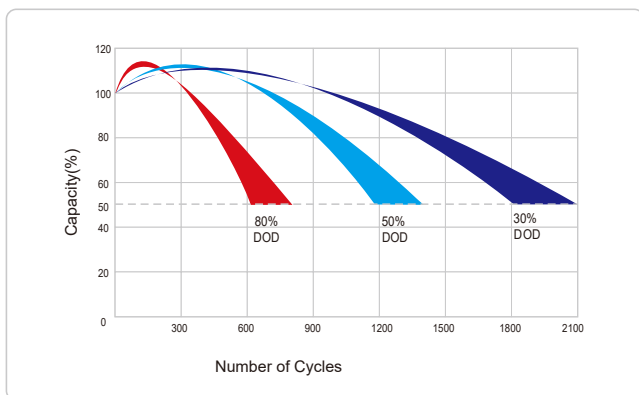
■ Charging Profile



■ Relationship of OCV & State of



■ Cycle Life in Relation to Depth of Discharge



■ Self-Discharge Characteristic

